

BYKECAM™ Installation Instructions

Thank you for your recent purchase of BYKECAM

Check box for all contents before starting installations

Designed to work on pedal bicycles or battery assist motor hub bicycles

Charge the battery completely using the included charger before using BYKECAM™

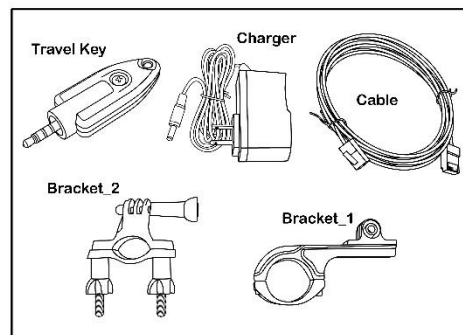
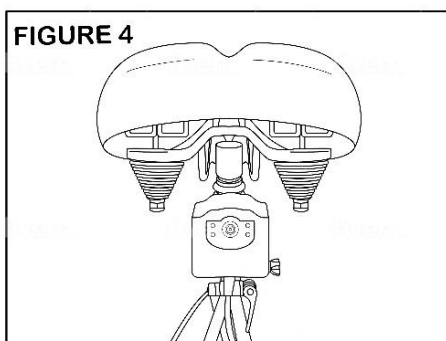
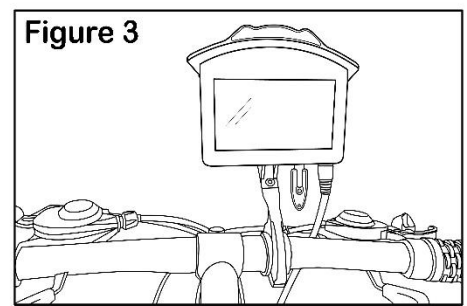
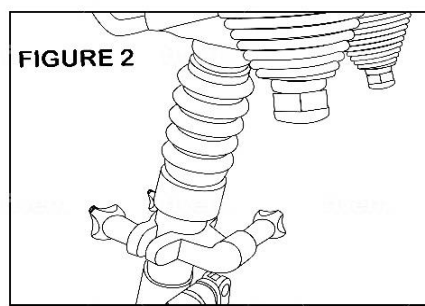
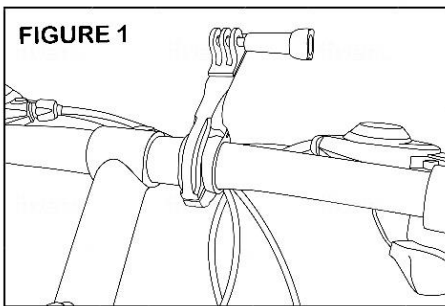
Installation Steps

1. Mount bracket_1 on either side of the handlebars see Figure 1
2. Mount bracket_2 to the seat pole of your bicycle see Figure 2
3. Connect the Monitor to bracket_1 see Figure 3 using included hardware
4. Connect the Camera to the seat pole using bracket_2 see Figure 4
5. Connect cable from the front Monitor to the rear Camera using tie wraps

Adjust Monitor and Camera to your position of choice

Keep travel key plugged when not riding or traveling with bike

Installation video can be found @ www.BykeCam.com or scan QR code



Please register your BYKECAM products with the enclosed serial number on the product registration page at WWW.BYKECAM.com

SAMPLE SERIAL NUMBER



